



Rainbow Pool Products

PO Box 2388, Mansfield Qld 4122

Telephone STD 61-7-3849 5385

Facsimile STD 61-7-3849 5384

Email: info@rainbowpoolproducts.com.au

Web: www.rainbowpoolproducts.com.au

ASTRALPOOL



 FLUIDRA GROUP

E-Series Pool & Spa Pump

- ✓ **Robust and reliable construction**
- ✓ **Saves on operating costs**
- ✓ **Low noise levels**
- ✓ **2 year warranty**





E-Series Pool & Spa Pump

Modern pools and spas are a sophisticated combination of electronic and mechanical designs. They place enormous demands on the components that provide the filtration, heating and performance standards that are common today.

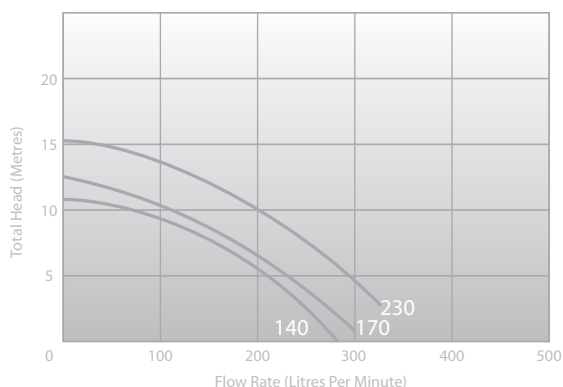
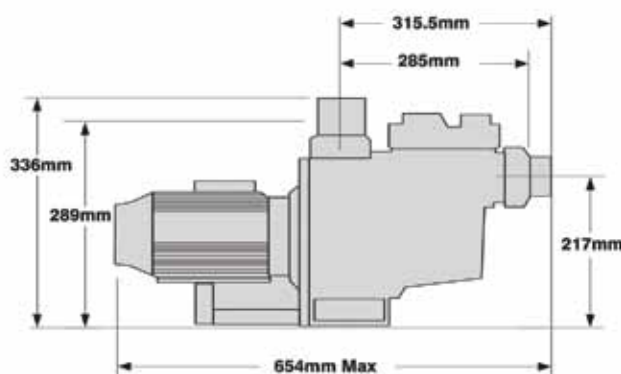
Not all pools and spas however operate at these extreme levels. Many smaller or older pools place far less stress on their various components. For these pools, AstralPool engineers have designed an economical range of pool components.

The E-Series pumps will provide just the right level of performance and reliability for all pools and spas up to 100,000 litres. With low noise levels the E-Series pool and spa pump produces high flow rates using less power which saves on operating costs.

Designed with high standard, reliability and durability in mind these pumps use only quality components that lead to a long life. With the need for less frequent cleaning the E-series pump will save you both time and money.

Available in 4 different sizes and covered by a limited 2 year warranty against defects in materials and workmanship the E-Series pool and spa pump is the perfect choice.

To find out more about the E-Series pump visit www.astralpool.com.au



Specifications

Model	Volts	Phase	Input Watts	Horse Power	Flow Rate Max @ 8 m/h	Noise @ 1m	Full Load Amps
E 140	240	Single	650	0.50	140 lpm	57 dBA	2.9
E 170	240	Single	850	0.75	170 lpm	57 dBA	3.5
E 230	240	Single	925	1.00	230 lpm	57 dBA	3.9



Rainbow Pool Products

PO Box 2388, Mansfield Qld 4122

Telephone STD 61-7-3849 5385

Facsimile STD 61-7-3849 5384

Email: info@rainbowpoolproducts.com.au

Web: www.rainbowpoolproducts.com.au